

STRONGPOST™

Floors that sag can be a result of poor or settling soils, contractor mistakes, engineer/architect errors, material deterioration, as well as having too long unsupported span lengths. Deficient foundations leading to inadequate floor support is a very common problem. Sagging floors that may even become bouncy over time can be problematic for the homeowner.

StrongPost™ is designed to fit any crawl space providing 25 tons of ultimate capacity. Our labor-saving, material saving, lean-construction heavy duty column support is the strongest system of its kind available today. Lift and stabilize permanently with StrongPost™ galvanized steel floor supports from STRDY™.

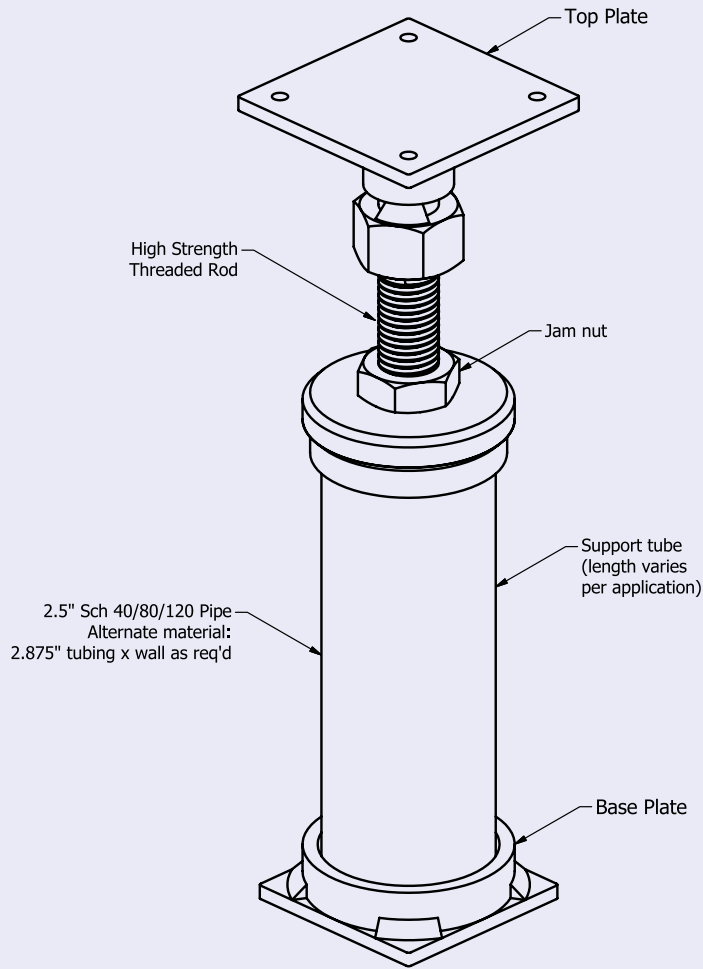
Construction Benefits:

- Ease of Handling
- Recycle Pipe Remnants
- Engineered Solution
- Galvanized Steel
- Easily Installed
- Labor Saving

Advantages:

- Structural Steel
- Corrosion Resistant
- Termite-proof
- Adjustable
- Structurally Rated





2.875" STRONG POST ASSEMBLY

4.5" Adjustment Range
 Overall Height Variable from 10"
 to 91" (dependent on support
 tube length)
 Ultimate Load Capacity 50,500 lbs
 Allowable Load Capacity 25,250 lbs*
 Assembly weight = 9.83lb plus
 support pipe weight

*Capacity varies w/ pipe
 wall thickness & length
 (See pipe load capacity chart.
 All load capacities based upon
 plumb vertical installations.)

Permanently stabilize interior crawlspaces with StrongPost™ steel piers. Fully adjustable, our vertical StrongPost™ steel column pier is a high-strength engineered corrosion resistant support system sized for maximum support of your specific interior structural pier application. The StrongPost™ heavy-duty saddle plate is adjustable to accommodate any floor joist subfloor configuration. StrongPost™ steel column piers will deliver peace of mind and satisfaction like no other for you or the homeowner. Protect your greatest asset with the strongest and best!

STRONGPOST™

A product of



678-392-3972

1350B Progress Industrial Blvd

Lawrenceville, GA 30043

www.strdy.com | info@strdy.com